

Time is free, but it's priceless



AC100C Fingerprint Time & Attendance System



We present to you the latest in the AC100 series: FingerTec AC100C! This model is a step above the previous FingerTec's AC100 for it now has additional features such as a full colour screen, configuration icons and USB data management. AC100C was designed for cost-effectiveness, so that smaller companies or those with a lower budget set aside for security and time management systems can still have FingerTec solutions implemented in their workplace. AC100C has an amazing capacity for fingerprint templates and transaction records, plus it can be synchronized with the TCMS V2 software for easier data management. Basically, the AC100C was designed to give you practicality at a lesser cost.



Easy Data Management

All you need is a USB flash disk to transfer transaction logs to your computer. It is that easy!



Supersized Capacity

Get up to 10000 fingerprint templates and 200000 transaction logs – more than enough to fulfill the requirements of an SME.



Full Colour Screen

Treat your eyes to the new colour display on AC100C. The screen is now bigger, better, and clearer.



User Friendly

AC100C has icons that function especially for configuration which gives the whole device a more user-friendly feel.



Value for Money

This model was designed to be economical so that you are able to implement FingerTec solutions at a lower cost. We believe that when it comes to security, there should be no compromise.



Precise Recognition

AC100C uses minutiae matching technology that ensures only enrolled users are granted access.



Manage Your Data Easily

Administration is easy with the bundled software! FingerTec's TCMS V2 software allows you to generate reports, monitor attendance and integrate FingerTec with a third party system



Eliminate Buddy Punching

The weakness of the clock-in card system is that 'buddy punching' can occur where one employee can clock in the time for another employee if any of them are late. Eliminate this occurrence by using the unique per-individual fingerprint as a clock-in card!



WEB LINK

Product

• <http://info.fingertec.com/ac100c-1>

Quick Start Guide

• <http://info.fingertec.com/ac100c-2>

Installation Guide

• <http://info.fingertec.com/ac100c-3>

User Guide

• <http://info.fingertec.com/ac100c-4>

Video Guide

• <http://info.fingertec.com/ac100c-5>

Technical Tips

• <http://info.fingertec.com/ac100c-6>



Packaging

Dimension(mm) : 245(L) x 90(W) x 225(H)
Weight : 1.2 kg

For more info :-

PC Mart Sdn Bhd (374159-W)

Kuala Lumpur
TC001 3rdFloor Sungai Wang Plaza,
Jalan Sultan Ismail, 50250 Kuala Lumpur.
Tel: 03-2148 7670 Fax: 03-2145 7670

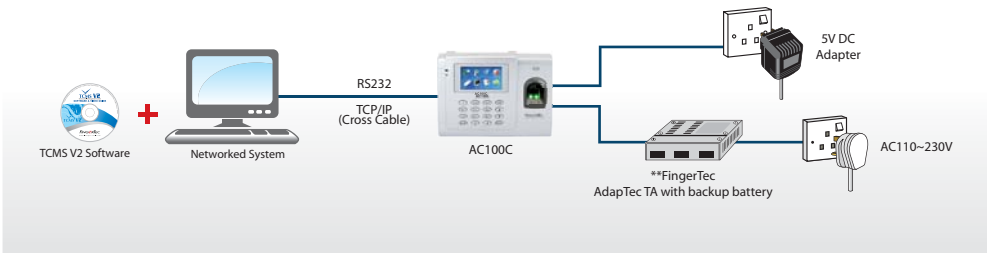
Batu Pahat
4A Jalan Maju, Taman Maju,
83000 Batu Pahat, Johor, Malaysia
Tel: 07-4337 670 Fax: 07-4337 671

Johor Bahru
04-40 Skudai Parade Shopping Complex,
Jalan Skudai, Batu 10, 81300 Skudai, Johor
Tel: 07-558 7670 Fax: 07-558 1671

LAYOUT PLAN

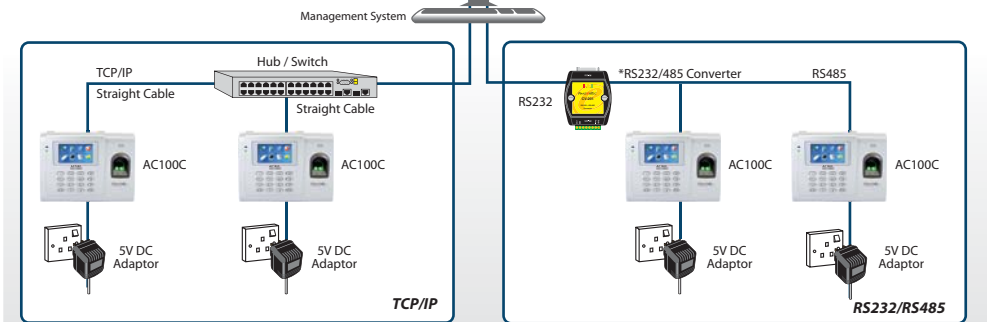
Layout Plan (Standalone)

for illustration only
** optional



TCP/IP or RS485 Environment

for illustration only
* item not included in the package



SPECIFICATIONS

MODEL	AC100C
SURFACE FINISHING	Acrylonitrile butadiene styrene (ABS)
TYPE OF SCANNER	Optical fingerprint scanner
MICROPROCESSOR	400 MHz
MEMORY	256 MB flash memory & 32 MB SDRAM
ALGORITHM	BioBridge VX 9.0 / VX 10.0
PRODUCT DIMENSION (L X W X H), mm	195 x 48 x 144
STORAGE	
• Fingerprint templates	10000
• Transactions	200000
ENROLLMENT & VERIFICATION	
• Methods	Fingerprint (1:1, 1:N) & password
• Recommended fingerprint per user ID	2
• Fingerprint placement	Any angle
• Verification time (sec)	<1
• FAR (%)	< 0.0001
• FRR (%)	< 1
COMMUNICATIONS	
• Method	TCP/IP, RS232, RS485, USB flash disk
• Baud rates	9600, 19200, 38400, 57600, 115200
OPERATING ENVIRONMENT	
• Temperature (°C)	0 ~ 45
• Humidity (%)	20 ~ 80
• Power input	DC 5V 2A
TIME ATTENDANCE	
• Work codes	Yes
• Fast transaction checking	Yes
MULTIMEDIA	
• Voice	Yes
• Display	3.0" 65k color TFT screen
• Short message	Yes
VOICE / DISPLAY LANGUAGE (TERMINAL)	English (Standard), Arabic, Malay, Indonesian, Chinese (Traditional), Chinese (Simplified), Cantonese, Thai, Spanish, Portuguese (Portugal), Portuguese (Brazil), French, Russian, German, Turkish, Persian. <i>Other languages are available upon request.</i>
SOFTWARE LANGUAGE	English, Arabic, Arabic (Kuwait), Malay, Indonesian, Chinese (Traditional), Chinese (Simplified), Thai, Vietnamese, Korean, Spanish, Portuguese (Portugal), Portuguese (Brazil), Polish, French, Russian, German, Italian, Turkish, Persian, Lithuanian



FINGERTEC
www.fingertec.my